



**OVERVIEW OF
ORTMAN FLUID
POWER
PRODUCT LINES**



Products

- **Hydraulic Cylinders**

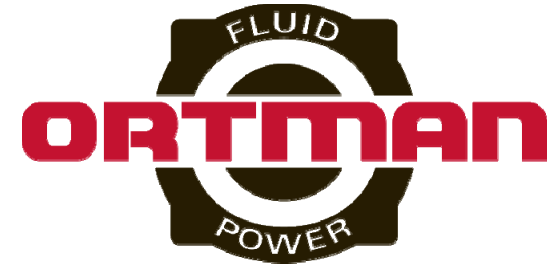
- **3TH**
 - ✦ NFPA Heavy Duty
- **3THX**
 - ✦ Electro Hydraulic
- **7L**
 - ✦ NFPA Medium Duty
- **101L**
 - ✦ Roundline Light & Heavy Duty
- **ASH**
 - ✦ NFPA Light Duty
- **7R**
 - ✦ Air/Oil Reservoir Tank

- **Pneumatic Cylinders**

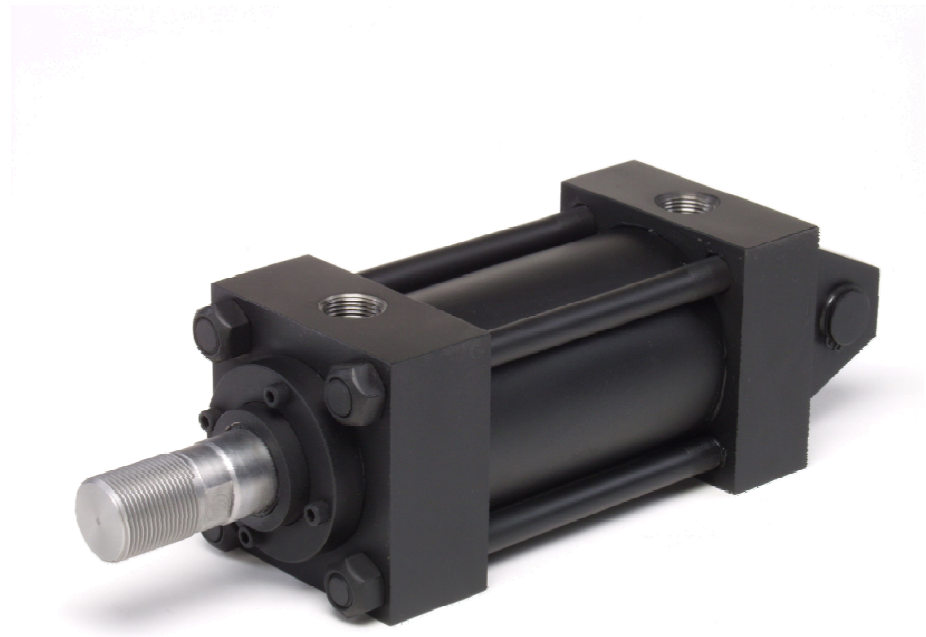
- **7K**
 - ✦ NFPA Heavy Duty
- **7KA**
 - ✦ NFPA HD Aluminum Tube
- **101K**
 - ✦ Roundline Light & Heavy Duty
- **QA**
 - ✦ NFPA Light Duty
- **FA**
 - ✦ Knife Gate Cylinder



3TH NFPA Heavy Duty Hydraulic

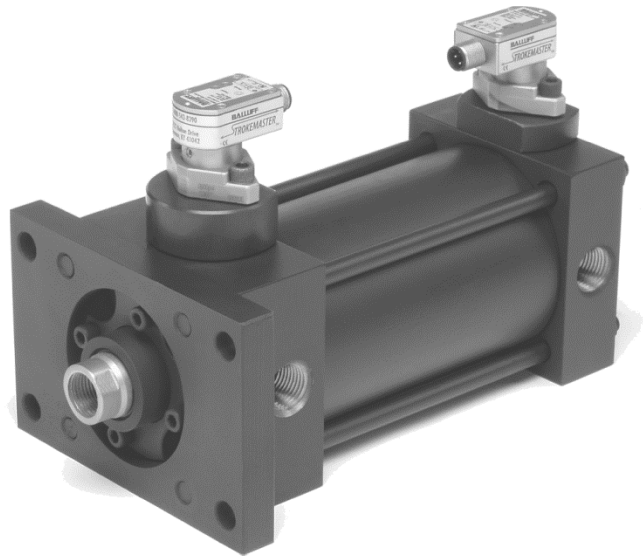


- Construction Class:
 - NFPA Tie Rod Style
- Pressures:
 - 3000 PSI Nominal
 - 5000 PSI Proof
- Bore Sizes:
 - 1.50" – 14.00"
- Mounting Styles:
 - 18 NFPA/JIC
- Material Composition:
 - Steel



BALLUFF

Distributor



Flange Style

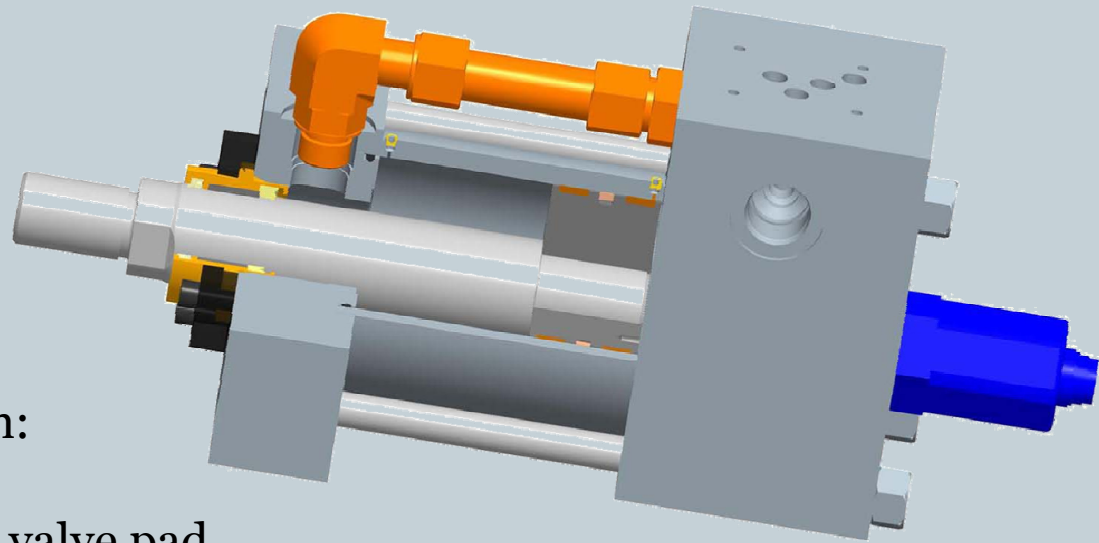


Go Switch

3THX Electro Hydraulic Service



- Construction Class:
 - NFPA Tie Rod Style
- Pressures:
 - 3000 PSI Nominal
 - 5000 PSI Proof
- Bore Sizes:
 - 2.50" – 8.00"
- Mounting Styles:
 - 12 NFPA/JIC
- Material Composition:
 - Steel
- Integral Head or Cap valve pad
 - DO3, DO5, Servo A, Servo B
- Prepped for or supplied with LVDT



7L NFPA Medium Duty Hydraulic



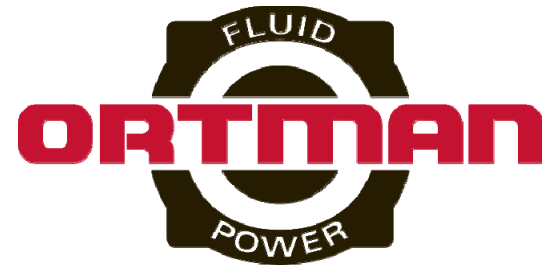
7L Pressure Ratings

Bore Size (in.)	Operating Pressures @ Estimated Safety Factors (based on yield) Shown		
	4/1	3/1	2/1
1.50	2030	2710	
2.00	1045	1395	2090
2.50	1115	1485	2230
3.25	990	1320	1980
4.00	700	935	1400
5.00	680	910	1360
6.00	575	765	1150
8.00	510	680	1020
10.00	345	460	690
12.00	330	440	660
14.00	330	440	660

- Construction Class:
 - NFPA Tie Rod Style
- Pressures:
 - Rated by Bore Size
- Bore Sizes:
 - 1.50" – 14.00"
- Mounting Styles:
 - 21 NFPA/JIC
- Material Composition:
 - Steel

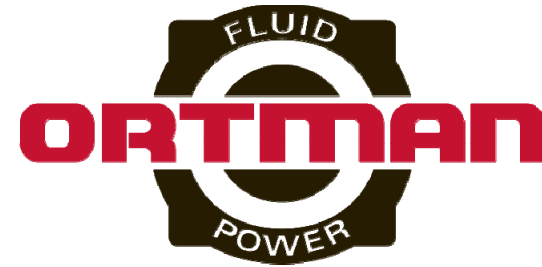
101L Roundline Hydraulic

- Construction Class:
 - Round Bodied
- Pressures:
 - Light Duty – 500 PSI
 - Heavy Duty – 1500 PSI
- Bore Sizes:
 - 1.50” – 8.00”
- Mounting Styles:
 - 8 Mounting Styles
- Material Composition:
 - Steel



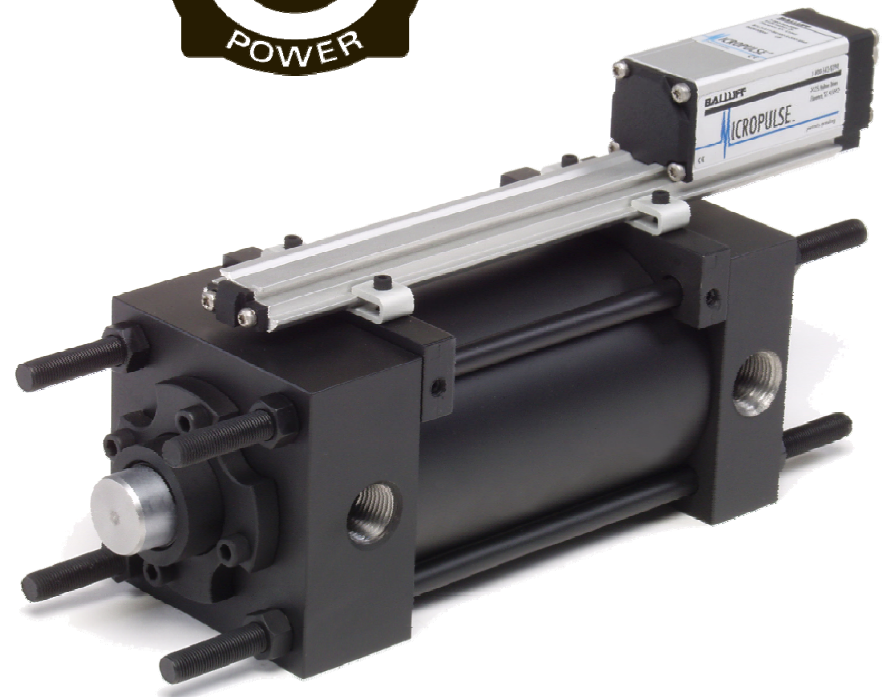
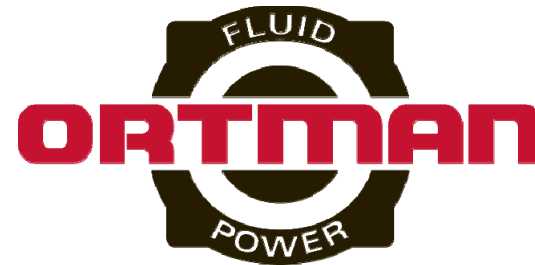
7K NFPA Heavy Duty Pneumatic

- Construction Class:
 - NFPA Tie Rod Style
- Pressures:
 - 250 PSI
- Bore Sizes:
 - 1.50" – 20.00"
- Mounting Styles:
 - 21 NFPA/JIC
- Material Composition:
 - Steel

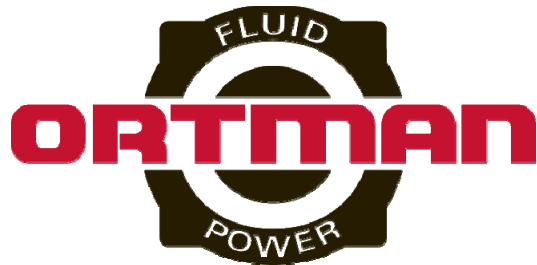


7KA NFPA Heavy Duty Pneumatic

- Construction Class:
 - NFPA Tie Rod Style
- Pressures:
 - 250 PSI
- Bore Sizes:
 - 1.50" – 4.00"
- Mounting Styles:
 - 21 NFPA/JIC
- Material Composition:
 - Steel Heads & Caps
 - Aluminum Tube
 - Aluminum Piston w/magnetic band

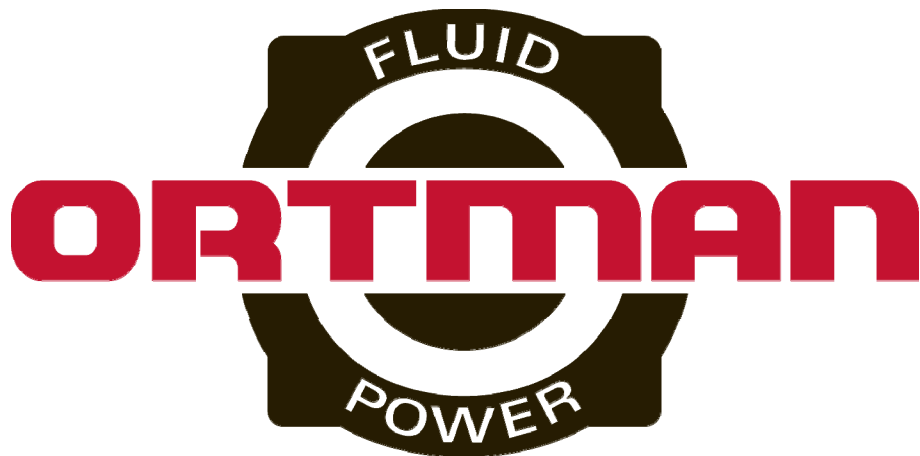


101K Roundline Pneumatic



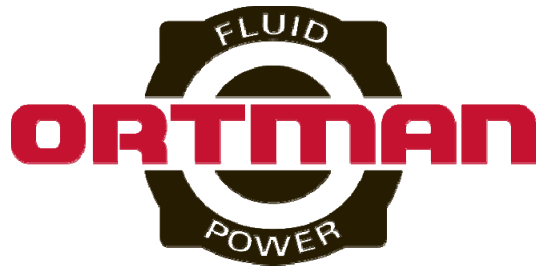
- Construction Class:
 - Round Bodied
- Pressures:
 - Light Duty – 150 PSI
 - Heavy Duty – 500 PSI
- Bore Sizes:
 - 1.50” – 8.00”
- Mounting Styles:
 - 8 Mounting Styles
- Material Composition:
 - Steel

QA NFPA Light Duty Pneumatic



- **Construction Class:**
 - Non-NFPA Impregnated Covers
- **Pressures:**
 - Rated by Cushion Orientation
- **Bore Sizes:**
 - 1.50" – 4.00"
- **Mounting Styles:**
 - Direct fit into NFPA application
- **Material Composition:**
 - Aluminum

FA Knife Gate Pneumatic



- Construction Class:
 - Tie Rod Style
- Pressures:
 - 150 PSI
- Bore Sizes:
 - 2.50" – 14.00"
- Mounting Styles:
 - Tie Rods & Lift Eyes
- Material Composition:
 - Steel Heads & Caps
 - Composite Tube

**Thank You for Your Time
and Attention!**

