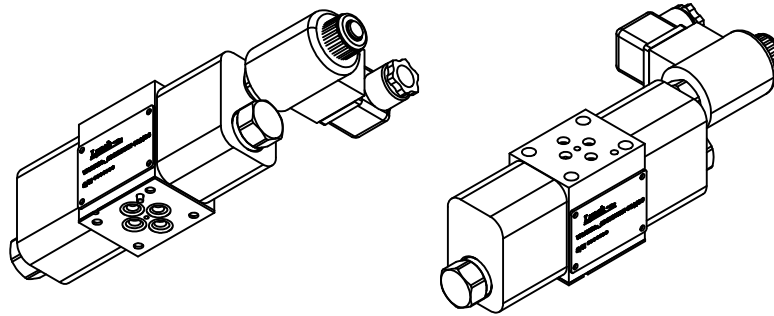


DWG NO	VPLMABA-_03GT21UAX-O&\$\$DS	REV	
MODEL CODE	VPLMABA-_03GT21UAX-O&\$\$DS		
PROPRIETARY NOTICE THIS DRAWING DESCRIBES A PROPRIETARY PRODUCT OF LYNCH FLUID CONTROLS INC. WHICH MAY NOT BE REPRODUCED IN WHOLE OR IN PART NOR GIVEN TO A THIRD PARTY WITHOUT WRITTEN PERMISSION FROM LYNCH FLUID CONTROLS INC.		TITLE Lockout Sandwich Module, Blocked on A & B	
DATA UNIT: INCH	3RD ANGLE PROJECTION		

Bill of Material		
ITEM	QTY	DESCRIPTION
1	1	Manifold Body
2	2	Normally closed, balanced poppet, logic element - pilot-to-open
3	1	Solenoid-operated directional spool valve - pilot capacity
4	1	Coil
5	1	Connector



MODEL CODE BREAKDOWN

Material Code (_): "A" = Aluminum Body
 "D" = Ductile Iron Body

Seal Code (&): "N" = Buna-N
 "V" = Viton

Coil Code (\$\$): "24" = 24 Vac
 "11" = 110 Vac

VPLMABA-_03GT21UAX-O&\$\$DS

DETAIL A

DESIGN PARAMETERS:

- (1) **SYSTEM PRESSURE:** 3000 PSI MAX - Aluminum
5000 PSI MAX - Ductile Iron
- (2) **SYSTEM DESIGN FLOW:** 15 GPM (NOMINAL)
- (3) **SYSTEM PRESSURE DROP:** 400 PSI PER VALVE @ 15 GPM
- (4) **PILOT PRESSURE:** 400 PSI MIN FOR FULL FLOW

NOTE:

VALVE WILL RESEAT WHEN EITHER THE SOLENOID IS DE-ENERGIZED AND/OR PILOT PRESSURE FALLS BELOW 145 PSI

